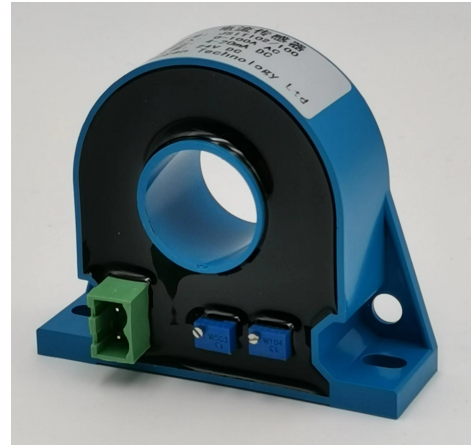


### JSIT102-RMS AC Current Sensor

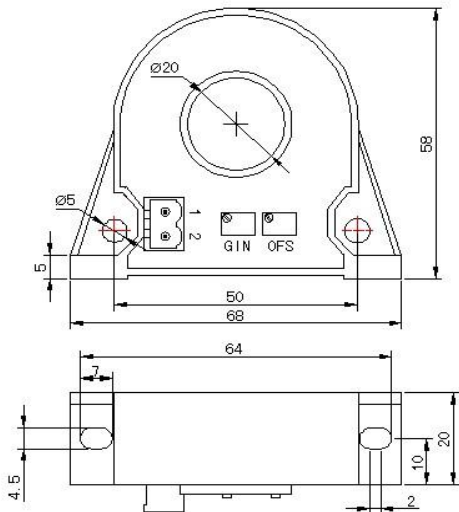
JSIT102/80-RMS Current Sensors measure AC (20 – 1kHz) currents through the feeding cables with 2 wire 4-20mA true RMS output.

#### 1.Performances and Specifications

- Primary Current: 100 A, AC(20 – 1kHz)
- Primary Current, measuring range @ 24 V: 120 A
- Measuring Resistance RL @ 24V: 250Ω, max 500Ω
- Power Supply Voltage: 24V, min 15V, max 33V
- Current Consumption: < 40 mA
- Voltage for AC Isolation Test: 50 Hz, 1 min 3 kV
- Overall Accuracy @ 80A , TA = 25°C: ± 1.0 %
- Linearity: < 0.5 %
- Offset Current - 25°C to + 70°C : 4.00 ± 0.03 mA
- Response Time @ 90 % of 100A: < 350ms
- Frequency Bandwidth: 20 to 1kHz
- Ambient Operating Temperature: - 25°C to + 70 °C
- Ambient Storage Temperature: - 25°C to + 85 °C
- Mass: 100g



#### 2.Dimensions and Mounting



端子	接线
1	+
2	-

